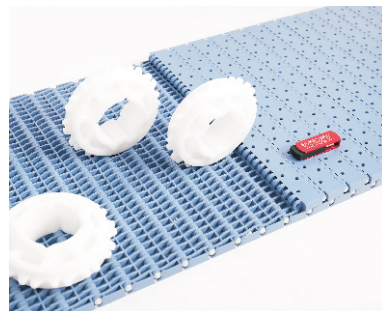
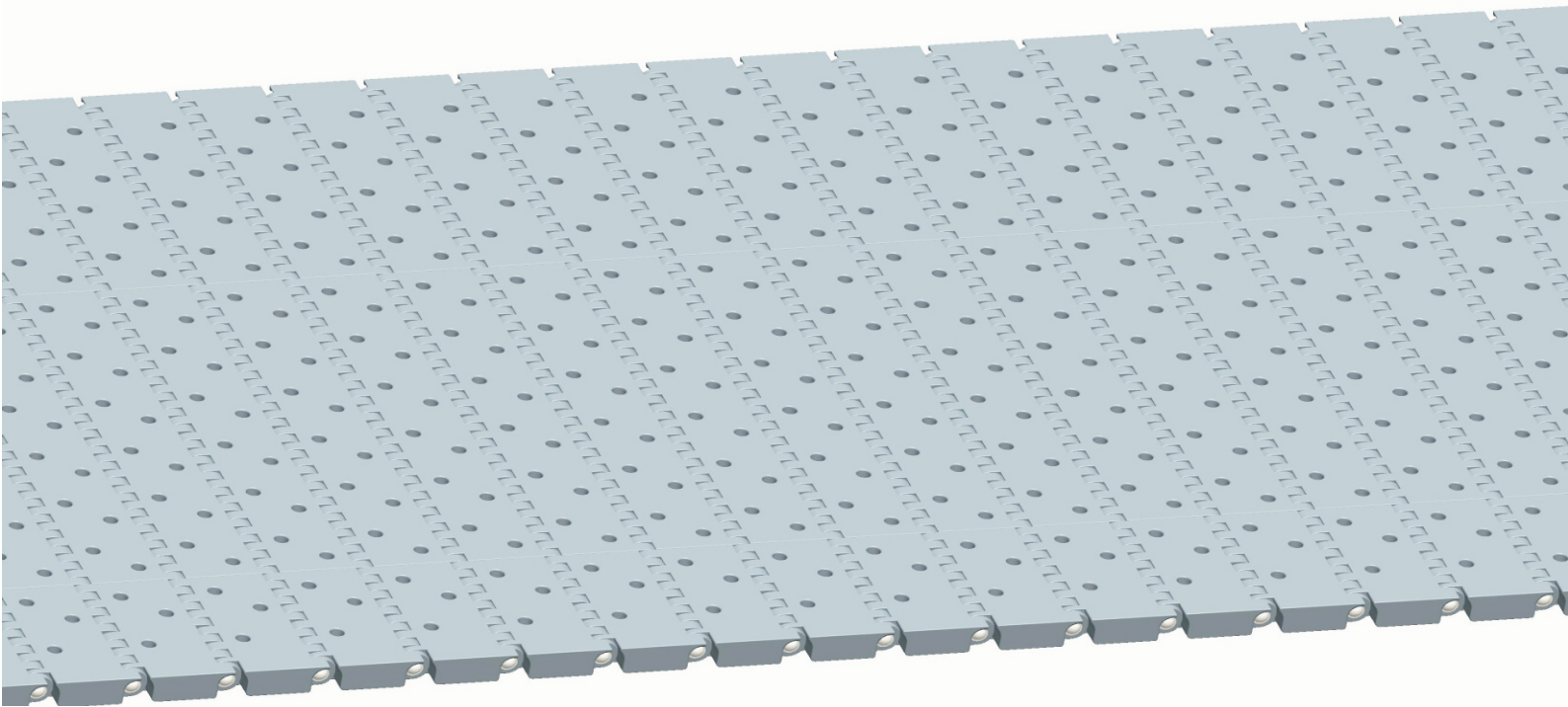


## HS-700AB-N Technical Data Sheet



Pitch: 27.2mm Minimum Width: 152mm Open Area: 4% Approved: FDA Rod: Ø 4.5mm Flight: Yes Side Guard: Yes Curve: No	
--	--

## Data

Belt Material	Belt Strength		Curve	Temperature		Belt Weight (Kg/M <sup>2</sup> )
	Straight			°C (min.)	°C (max.)	
	Kg/M(BW)	N/M(BW)				
Polypropylene	1320	13200	--	1	100	4.9
Polyethylene	1060	10600	--	-60	60	5.7
Acetal	1880	18800	--	-40	80	6.8
Nylon	1610	16100	--	1	180	6.5

**BW – Belt Width**

## Color Table

Polypropylene					Polyethylene					Acetal					Nylon				
W	G	N	DB	B	W	G	N	DB	B	W	G	N	DB	B	W	G	N	DB	B
●	●						●			●				●				●	

W-White, G-Gray, N-Nature, DB-Darkbrown, B-Blue

## Friction Table

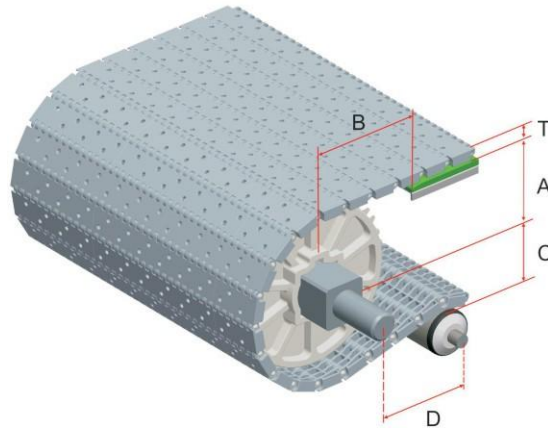
Belt Material	Friction Wear strips & Products							
	UHMW	HDPE	Steel	Glass	SUS	Plastic	Cardboard	Aluminum
Polypropylene	0.32	0.24	0.15	0.09	0.13	0.08	0.15	0.25
Polyethylene	0.13	0.11	0.26	0.19	0.31	0.16	0.21	0.41
Acetal	0.11	0.09	0.27	0.16	0.26	0.15	0.19	0.28
Nylon	0.18	0.13	0.25	0.16	0.26	0.16	0.19	0.27

SUS – Stainless Steel

## Equivalent type with other Brand

Brand Name	Intralox	UNI	Rexnord	MCC	Habasit	KVP
Series & Type	900	SNB	1005	1000	M2400	610
	1600	CNB	1010		M2500	208
	200	OPB	7700		M2600	
	800		6390			

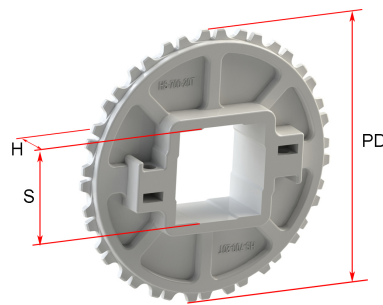
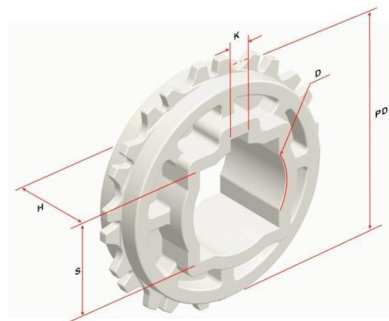
The above content is only for reference.



**Conveyor Frame Dimensions**

**Unit : mm**

No. Teeth	A ( Min.)	B ( Min.)	C ( Max.)	D ( Min.)	T
6	21.25	36.15	20.35	200	9.8
9	35	49.9	34.1	200	
10	38.85	53.75	37.95	250	
12	47.85	62.75	46.95	250	
17	71.1	86.0	70.2	300	
18	74	88.9	73.1	300	
20 / 20-Split	82.6	97.5	81.7	300	
24	100	114.9	99.1	300	



**Sprocket Dimensions**

**Unit: mm**

No. Teeth	PD	S	D	H	K
6	52.3	25.4	--	18.5	--
9	79.8	25.4/38.1	25.4/25.5	21.5	6.35X3.17
10	87.5	25.4/38.1/40.2	25.4/25.5	18.8	6.35X3.17
12	105.5	25.5/30.5/38.5/40.5	25.4/30.5/31.75/38.1 /45.5/47.5	35	8X8
17	152	--	114	25.4	4.5X3.5
18	157.8	38.5/40.5/60.5/63.5	25.4/30.5/31.75/38.1/46/47.5	35	8X8
20	175	38.1/40.2/60.2	25.4/31.75/38.1	35	6.35X3.17
20-Split	175	60.2	31.75	40	6.35X3.17
24	209.8	38.5/40.5	25.4/25.5/30.5/38.1/45.5/47.5	35	8X8